

Brushless DC Motor

80BL Series

General Specifications

Winding Type	Star
Hall Effect Angle	120° Electrical Angle
Insulation Class	B
Ambient Temperature Range	-20°C ~ +50°C
Insulation Resistance	100 MΩ Min. 500 VDC
Dielectric Strength	1000 VAC 1 minute

Customized solutions on request.

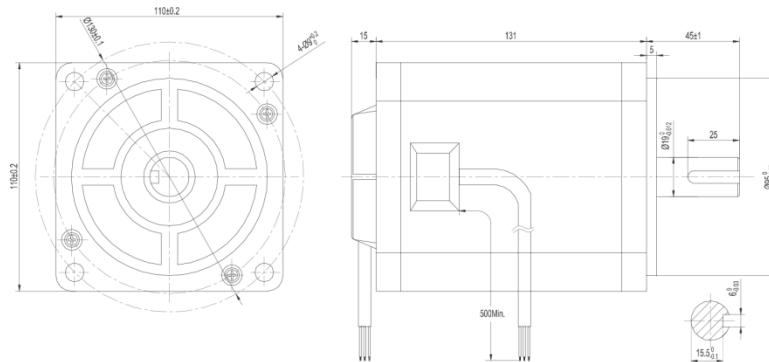


Electrical Specifications

Model		110BLF01
Number of Poles		8
Number of Phases		3
Rated Voltage	VDC	310
Rated Speed	RPM	3000
Rated Torque	Nm	3
Rated Current	A	5
Output Power	W	940
Peak Torque	Nm	9
Peak Current	A	15
Torque Constant	Nm/A	0.74
Back EMF	V/KRPM	77.5
Rotor Inertia	gcm ²	3
Body Length	mm	143
Mass	kg	6

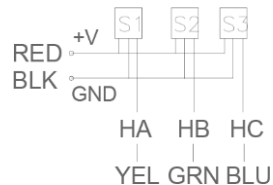
Caution: Peak Torque is provided for the purpose of performance calculations only. Operating near, or at this condition can result in motor damage.

Mechanical Dimensions



Connection diagram

Hall Sensor Cable



Wiring Cable



Note: Hall Sensor Power Supply voltage +5 to +20 VDC