

Brushless DC Motor

33BL Series

General Specifications

Winding Type	Star
Hall Effect Angle	120°C Electrical Angle
Insulation Class	B
Ambient Temperature Range	-20°C ~ +50°C
Insulation Resistance	100 MΩ Min. 500 VDC
Dielectric Strength	500 VAC 1 minute

Customized solutions on request.

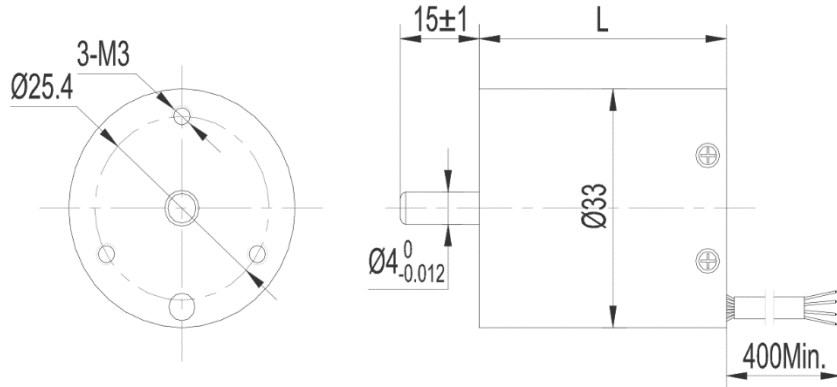


Electrical Specifications

Model		33BL01	33BL02
Number of Poles		4	4
Number of Phases		3	3
Rated Voltage	VDC	12	24
Rated Speed	RPM	4580	5800
Rated Torque	Nm	0.025	0.049
Rated Current	A	1	1.7
Output Power	W	11.9	26
Peak Torque	Nm	0.09	0.226
Peak Current	A	6.18	7.7
Torque Constant	Nm/A	0.0155	0.0311
Back EMF	V/KRPM	1.2	3.2
Rotor Inertia	gcm ²	1.2	1.9
Body Length	mm	38	51
Mass	kg	0.12	0.18

Caution: Peak Torque is provided for the purpose of performance calculations only. Operating near, or at this condition can result in motor damage.

Mechanical Dimensions



Wiring diagram

+5V	RED	UL1007 AWG26
HALL A	YELLOW	
HALL B	GREEN	
HALL C	BLUE	
GND	BLACK	
PHASE A	YELLOW	UL1015 AWG20
PHASE B	GREEN	
PHASE C	BLUE	