

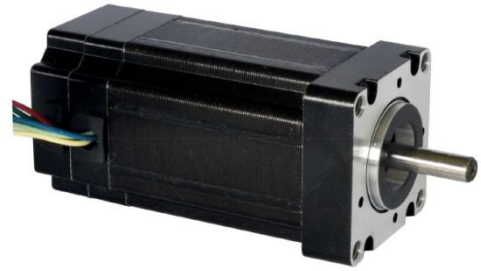
Brushless DC Motor

42BLFX Series

General Specifications

Winding Type	Star
Hall Effect Angle	120° Electrical Angle
Insulation Class	B
Ambient Temperature Range	-20°C ~ +50°C
Insulation Resistance	100 MΩ Min. 500 VDC
Dielectric Strength	500 VAC 1 minute

Customized solutions on request.

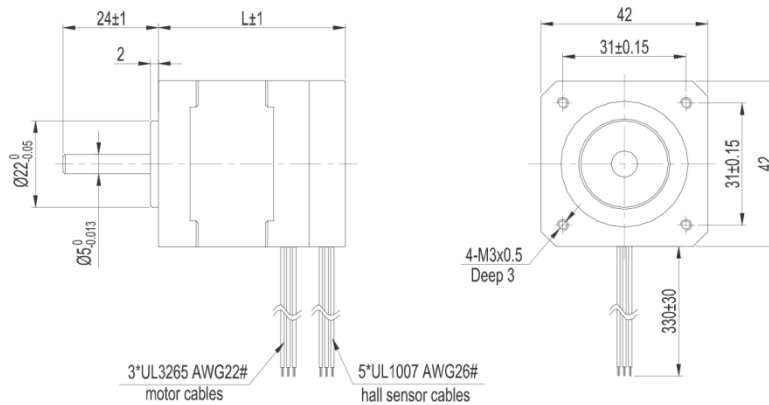


Electrical Specifications

Model		42BLFX01	42BLFX02
Number of Poles		8	8
Number of Phases		3	3
Rated Voltage	VDC	48	48
Rated Speed	RPM	4000	4000
Rated Torque	Nm	0.12	0.2
Rated Current	A	1.2	2.1
Output Power	W	50	84
Peak Torque	Nm	0.36	0.6
Peak Current	A	3.6	6.3
Torque Constant	Nm/A	0.108	0.104
Back EMF	V/KRPM	11.3	10.9
Rotor Inertia	gcm ²	62	123
Body Length	mm	59	84
Mass	kg	0.35	0.5

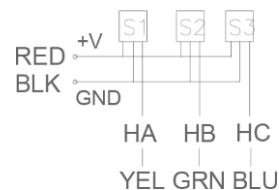
Caution: Peak Torque is provided for the purpose of performance calculations only. Operating near, or at this condition can result in motor damage.

Mechanical Dimensions



Connection diagram

Hall Sensor Cable



Wiring Cable



Note: Hall Sensor Power Supply voltage +5 to +20 VDC

Brushless DC Motor

