

Hybrid Stepper Motor

110BYGH Series

Without Pulse-Torque Characteristics

General Specifications

Step Accuracy	± 5%
Temperature Rise	80°C Max
Ambient Temperature Range	-20°C ~ +50°C
Insulation Resistance	100 MΩ Min. 500 VDC
Dielectric Strength	1800 VAC 1s 5 mA

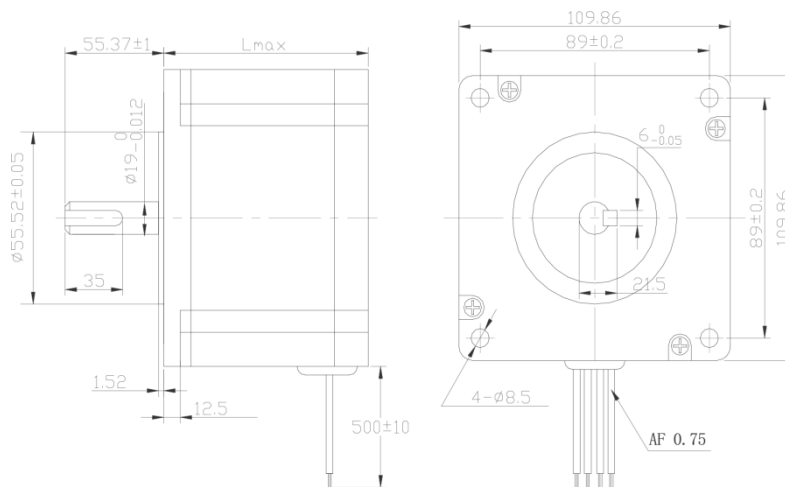
Customized solutions on request.



Electrical Specifications

Model	Step Angle	Motor Length	Rate Voltage	Rate Current	Phase Resistance	Phase Inductance	Holding Torque	Detent Torque	Rotor Inertia	Lead Wire	Motor Weight
	°	L (mm)	V	A	Ω	mH	mNm	mNm	kgcm ²	NO.	kg
110BYGH99-001	1.8	99	4.95	5.5	0.9	12	11200	490.3	5.5	4	5
110BYGH150-001	1.8	150	5.44	6.8	0.8	12	21000	823.8	10.9	4	8.4
110BYGH165-001	1.8	165	4.8	6.0	0.8	14	24000	931.6	12.5	4	9.5
110BYGH201-001	1.8	201	5.36	8.0	0.67	12	28000	1147.4	16.2	4	11.7

Mechanical Dimensions



Wiring Diagram

