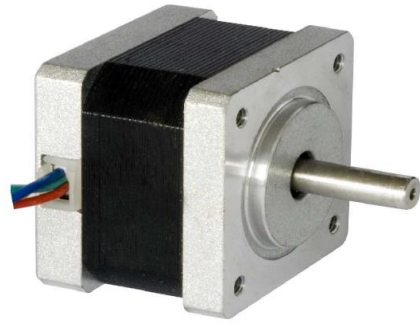


Hybrid Stepper Motor

35BYGHM Series

General Specifications

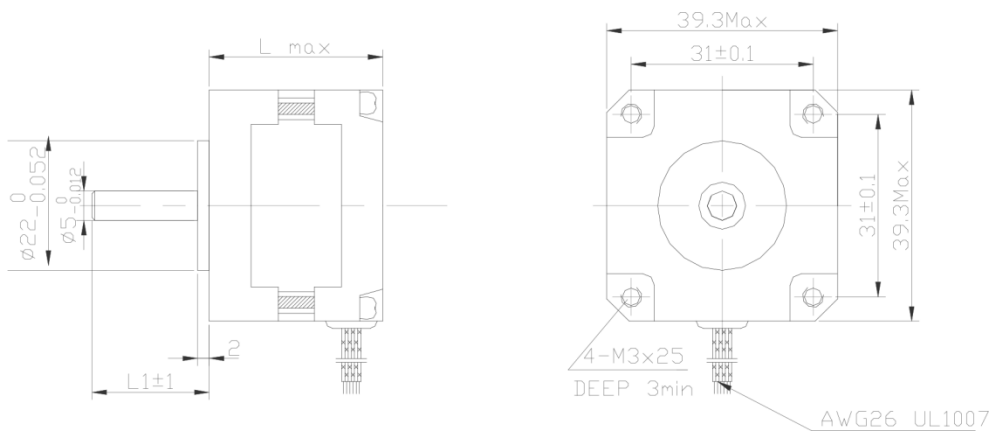
Step Accuracy	± 5%
Temperature Rise	80°C Max
Ambient Temperature Range	-20°C ~ +50°C
Insulation Resistance	100 MΩ Min. 500 VDC
Dielectric Strength	500 VAC 1 minute
Customized solutions on request.	



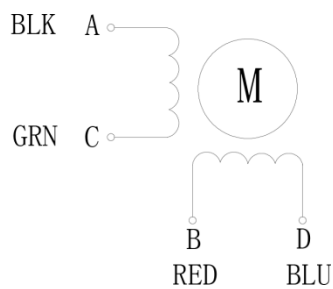
Electrical Specifications

Model	Step Angle °	Motor Length L (mm)	Rate Voltage V	Rate Current A	Phase Resistance Ω	Phase Inductance mH	Holding Torque gcm	Detent Torque gcm	Rotor Inertia gcm ²	Lead Wire NO.	Motor Weight kg
39BYGHM207	0.9	26	12	0.5	24	13	98.1	9.3	11	6	0.15
39BYGHM209B	0.9	26	4.25	0.425	10	6.3	54.0	9.3	11	4	0.15

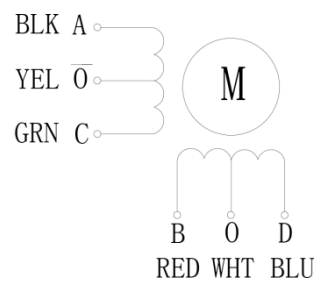
Mechanical Dimensions



Wiring Diagram



4 Leads



6 Leads

Hybrid Stepper Motor

Pulse Tourque Characteristics

