

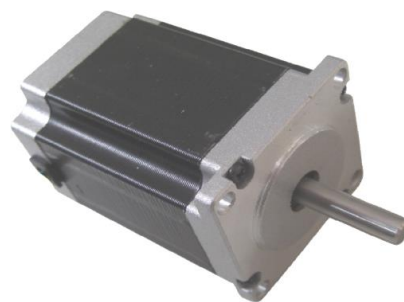
Hybrid Stepper Motor

57BYGH350 Series

General Specifications

Step Accuracy	± 5%
Temperature Rise	80°C Max
Ambient Temperature Range	-20°C ~ +50°C
Insulation Resistance	100 MΩ Min. 500 VDC
Dielectric Strength	500 VAC 1 minute

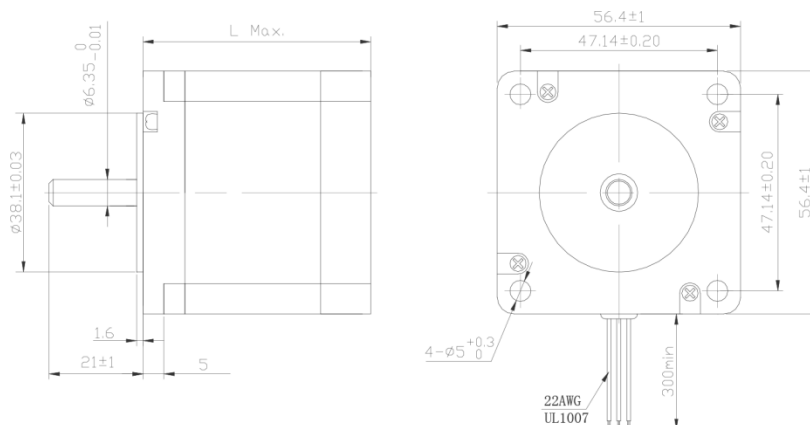
Customized solutions on request.



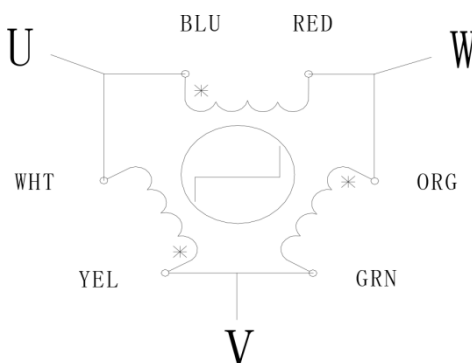
Electrical Specifications

Model	Step Angle	Motor Length	Rate Voltage	Rate Current	Phase Resistance	Phase Inductance	Holding Torque	Detent Torque	Rotor Inertia	Motor Weight
	°	L (mm)	V	A	Ω	mH	mNm	mNm	gm ²	kg
57BYGH350A-001	1.2	42	6.76	5.2	1.3	1.4	450	29.4	110	0.45
57BYGH350B-001	1.2	56	3.92	5.6	0.7	1.7	900	44.1	300	0.75
57BYGH350C-001	1.2	79	4.1	5.2	0.8	1.5	1200	54.0	480	1.1

Mechanical Dimensions



Wiring Diagram



Hybrid Stepper Motor

Pulse-Torque Characteristics

