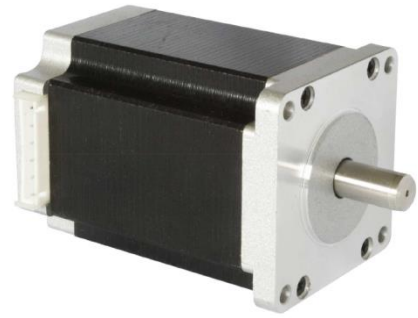


# Hybrid Stepper Motor

## 60BYGH Series

### General Specifications

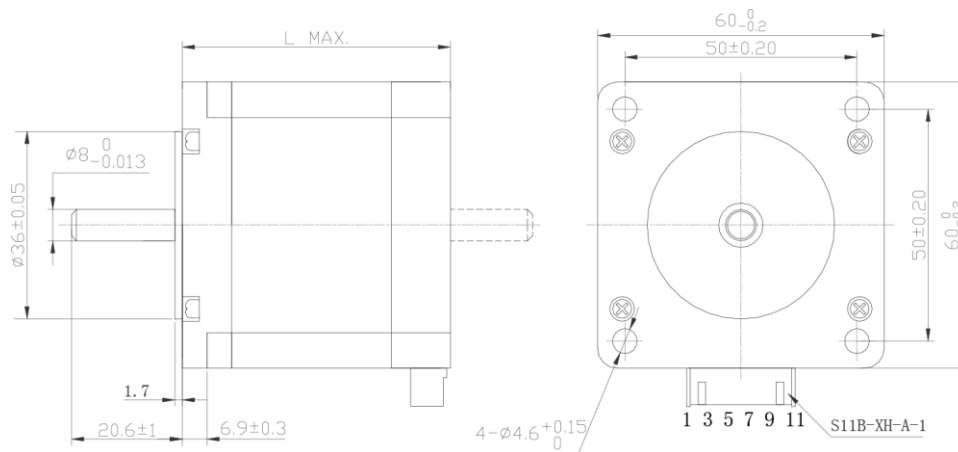
Step Accuracy	± 5%
Temperature Rise	80°C Max
Ambient Temperature Range	-20°C ~ +50°C
Insulation Resistance	100 MΩ Min. 500 VDC
Dielectric Strength	500 VAC 1 minute
<b>Customized solutions on request.</b>	



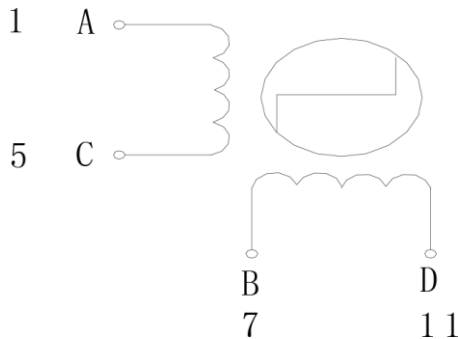
### Electrical Specifications

Model	Step Angle	Motor Length	Rate Voltage	Rate Current	Phase Resistance	Phase Inductance	Holding Torque	Detent Torque	Rotor Inertia	Lead Wire	Motor Weight
	°	L (mm)	V	A	Ω	mH	mNm	mNm	gcm <sup>2</sup>	NO.	kg
60BYGH402A	1.8	57	2.4	3	0.8	1.6	1000	58.8	300	6	0.77
60BYGH403A	1.8	57	3.9	3	1.3	4.3	1400	58.8	300	4	0.77
60BYGH408A	1.8	57	4	2	2	3.5	1200	58.8	300	6	0.77
60BYGH801A	1.8	87	5.6	2	2.8	6	1800	107.9	840	6	1.34
60BYGH805A	1.8	87	2.8	4	0.7	3.5	2300	107.9	840	4	1.34
60BYGH806A	1.8	87	4.2	3	1.4	4.3	2000	107.9	840	6	1.34

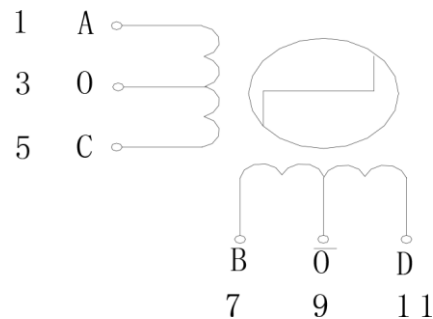
### Mechanical Dimensions



### Wiring Diagram



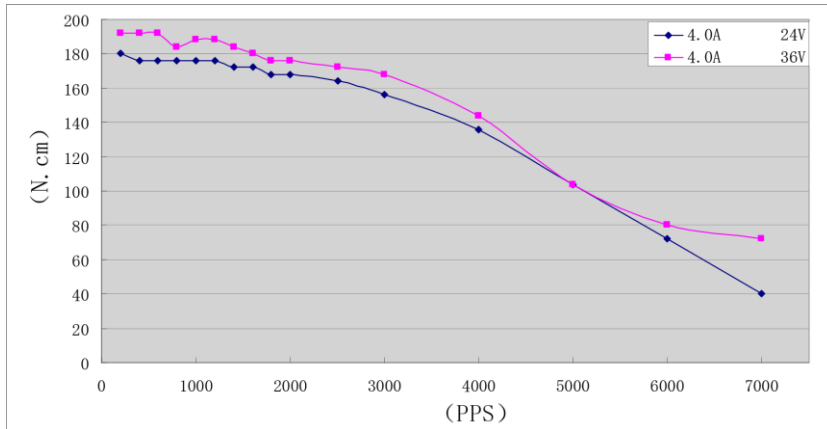
**4 Leads**



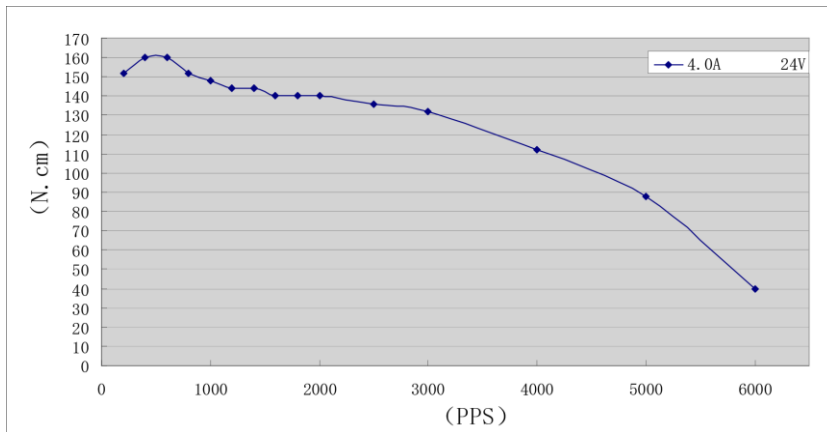
**6 Leads**

# Hybrid Stepper Motor

## Pulse-Torque Characteristics



Motor model: 60BYGH805-01  
Driver model: SD-2H044MA  
Drive mode: 4



Motor model: 60BYGH806A  
Driver model: SD-2H044MA  
Drive mode: 4