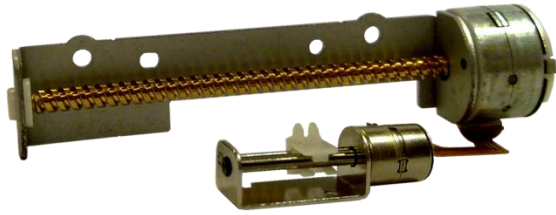


SML-series

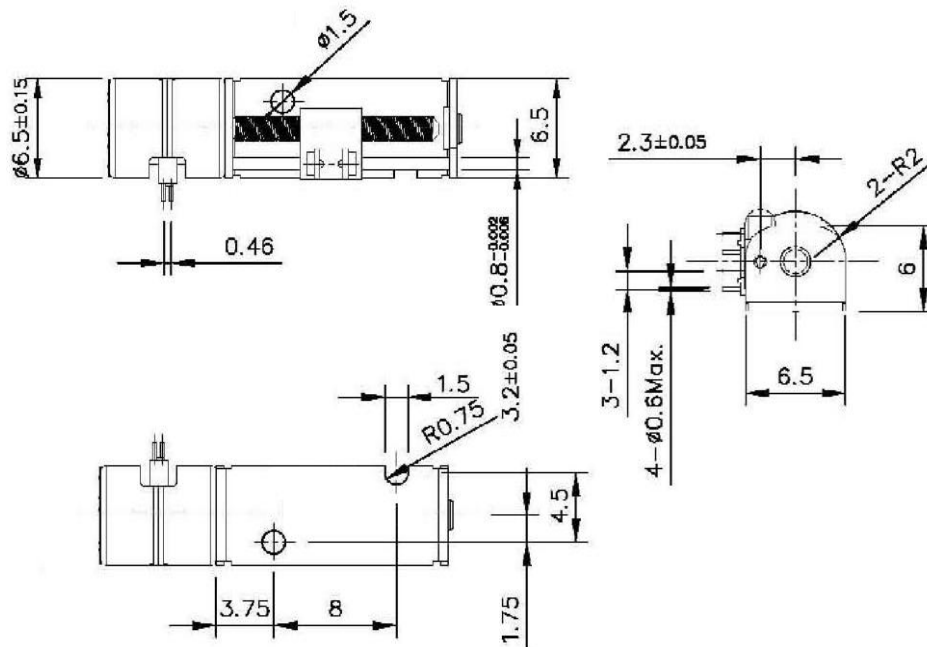
Miniature Linear Units

Ø6-15 mm
 Bi-polar PM Stepping Motor
 Up to 55 mm stroke
 Lead screw according to specification
 Customization on request

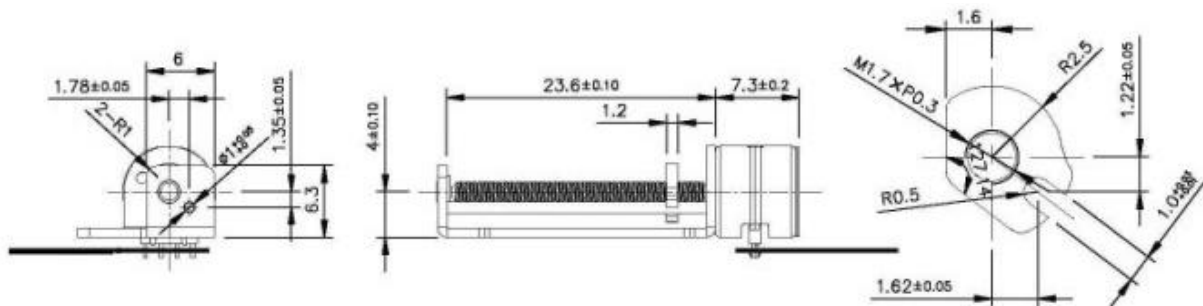


Available Models (mm)

SML0602



SML0803F

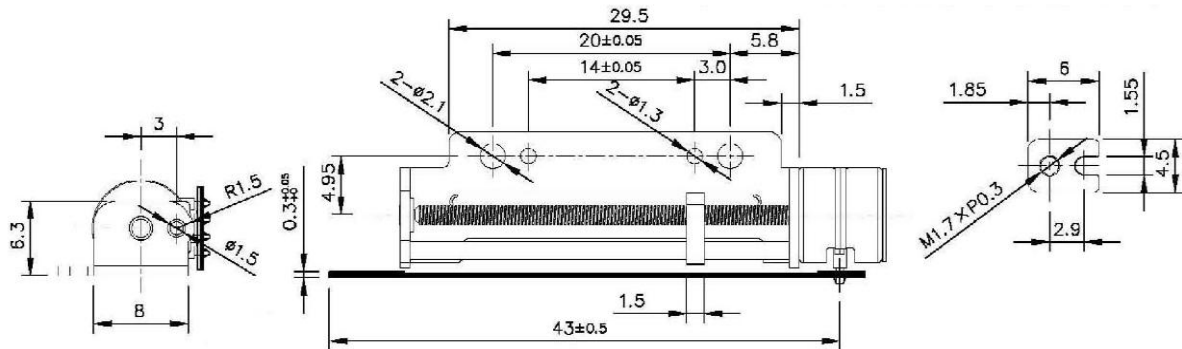


Linear Stepping Motor Unit

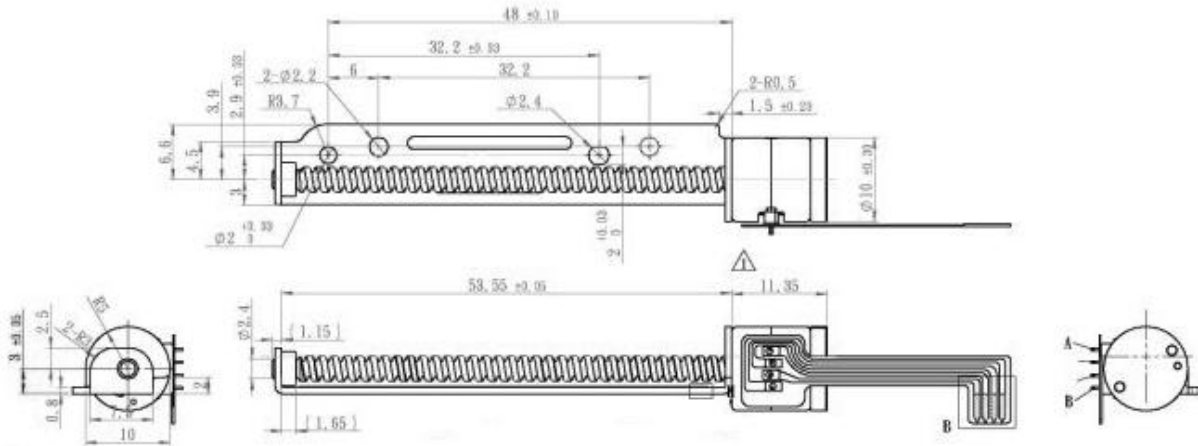
Ø6-15mm

Available Models, cont.

SML0846



SML10102



SML1505

