

Hybrid Stepper Motor

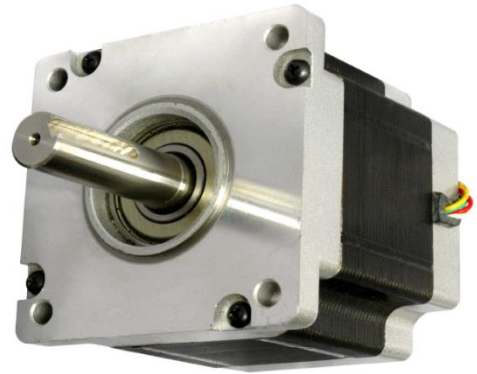
110BYGH350 Series

Without Pulse-Torque Characteristics

General Specifications

Step Accuracy	± 5%
Temperature Rise	80°C Max
Ambient Temperature Range	-20°C ~ +50°C
Insulation Resistance	100 MΩ Min. 500 VDC
Dielectric Strength	1800 VAC 1s 5 mA

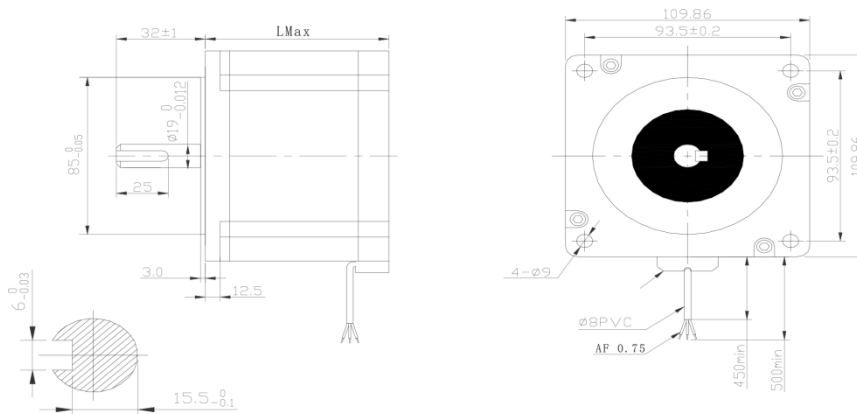
Customized solutions on request.



Electrical Specifications

Model	Step Angle	Motor Length	Rate Voltage	Rate Current	Phase Resistance	Phase Inductance	Holding Torque	Detent Torque	Rotor Inertia	Lead Wire	Motor Weight
	°	L (mm)	V	A	Ω	mH	mNm	mNm	kgcm ²	NO.	kg
110BYGH350A-001	12	120	6.0	4.3	1.4	9.2	10000	294.2	5.5	3	5
110BYGH350B-001	1.2	148	10.2	6.0	1.7	12	15000	559.0	8.5	3	7.4
110BYGH350C-001	1.2	182	13.4	6.4	2.1	14.8	18000	735.5	11.5	3	9.8
110BYGH350D-001	1.2	216	13.4	6.9	2.9	22	20000	980.7	14.5	3	11.7

Mechanical Dimensions



Wiring Diagram

