

Hybrid Stepper Motor

42BYGHM Series

General Specifications

Step Accuracy	± 5%
Temperature Rise	80°C Max
Ambient Temperature Range	-20°C ~ +50°C
Insulation Resistance	100 MΩ Min. 500 VDC
Dielectric Strength	500 VAC 1 minute

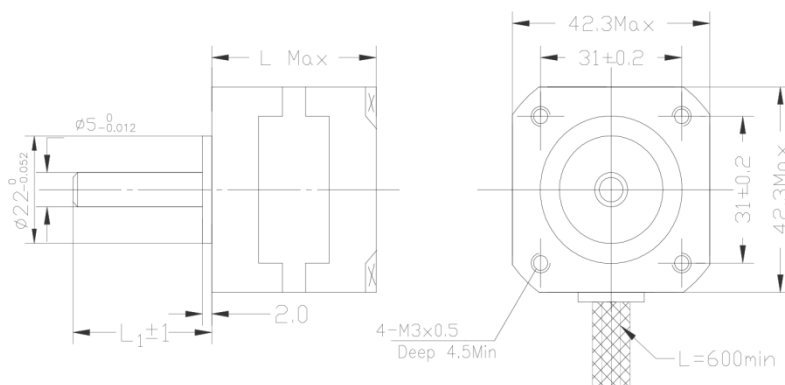
Customized solutions on request.



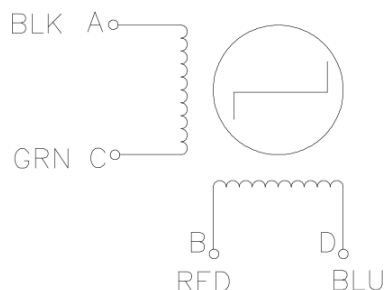
Electrical Specifications

Model	Step angle	Motor Length	Rate Voltage	Rate Current	Phase Resistance	Phase Inductance	Holding Torque	Detent Torque	Rotor Inertia	Lead Wire	Motor Weight
	°	L (mm)	V	A	Ω	mH	mNm	gcm	gcm ²	NO.	kg
42BYGHM201	0.9	34	5	0.4	12.5	21	158	17.7	34	4	0.2
42BYGHM206	0.9	34	3.6	1.0	3.6	3.3	140	17.7	34	6	0.2
42BYGHM208	0.9	34	2.5	1.2	2.1	5.9	210	17.7	34	4	0.2
42BYGHM602-01	0.9	40	11.2	0.4	28	30	260	21.6	54	6	0.24
42BYGHM604	0.9	40	3.6	1.2	3.0	3.5	260	21.6	54	6	0.24
42BYGHM607-01	0.9	40	2.5	1.7	1.5	3.2	320	21.6	54	4	0.24
42BYGHM805-05	0.9	48	3.5	1	3.5	7.6	370	25.5	68	4	0.34
42BYGHM809	0.9	48	2.77	1.68	1.6	3.5	420	25.5	68	4	0.34
42BYGHM810	0.9	48	2.4	2.4	1	1.8	480	25.5	68	4	0.34

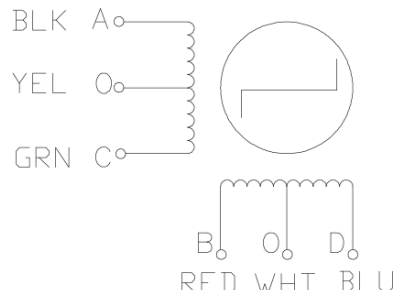
Mechanical Dimensions



Wiring Diagram



4 Leads



6 Leads

Hybrid Stepper Motor

Pulse-Torque Characteristics

