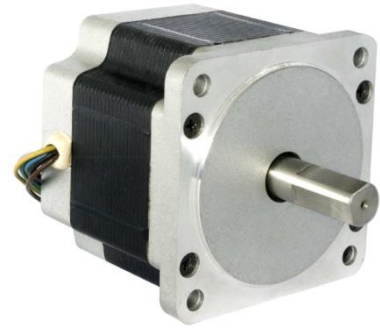


Hybrid Stepper Motor

85BYGH350 Series

General Specifications

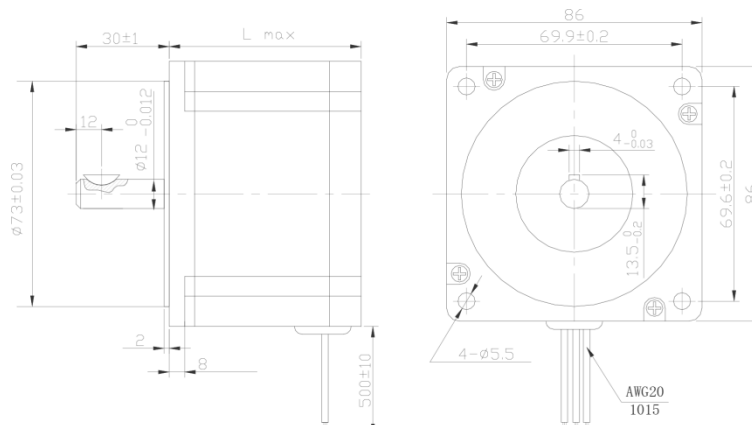
Step Accuracy	± 5%
Temperature Rise	80°C Max
Ambient Temperature Range	-20°C ~ +50°C
Insulation Resistance	100 MΩ Min. 500 VDC
Dielectric Strength	600 VAC 1 minute
Customized solutions on request.	



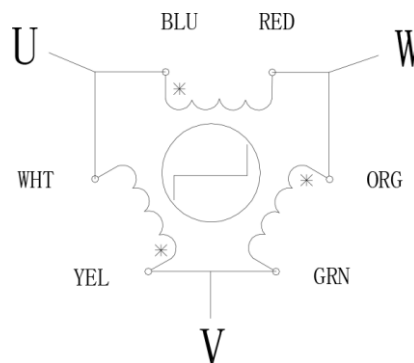
Electrical Specifications

Model	Step Angle	Motor Length	Rate Voltage	Rate Current	Phase Resistance	Phase Inductance	Holding Torque	Rotor Inertia	Motor Weight
	°	L (mm)	V	A	Ω	mH	mNm	gcm ²	kg
85BYGH350A-001	1.2	68	4	4	1	4	2300	1100	1.65
85BYGH350A-002	1.2	68	7.4	1.75	4.25	12.3	2300		
85BYGH350B-001	1.2	97	4.6	5.8	0.8	3	4500	2320	2.7
85BYGH350B-002	1.2	97	10.8	2	5.4	23	4500		
85BYGH350C-001	1.2	127	13	5.2	2.5	13.5	6800	3300	3.8

Mechanical Dimensions



Wiring Diagram



Hybrid Stepper Motor

Pulse-Torque Characteristics

