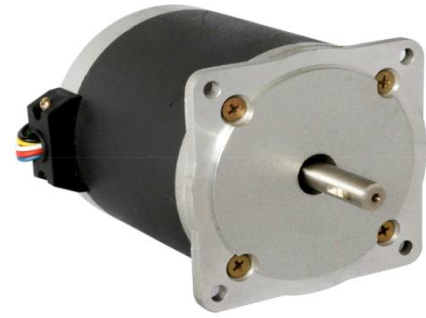


Hybrid Stepper Motor

86BYGX Series

General Specifications

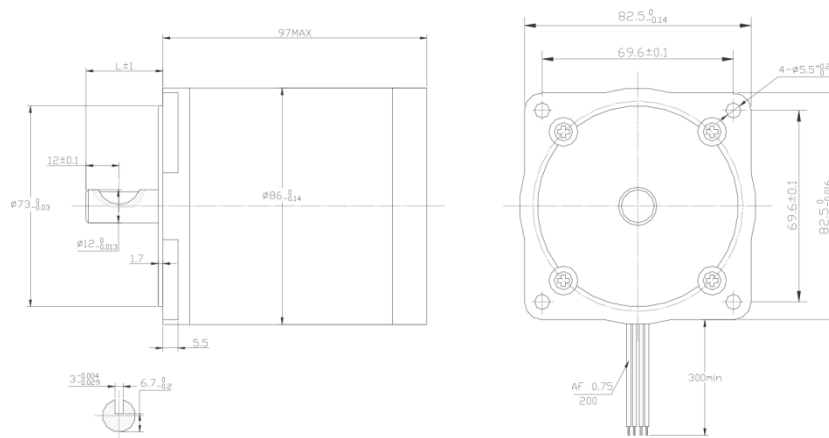
Step Accuracy	± 5%
Temperature Rise	80°C Max
Ambient Temperature Range	-20°C ~ +50°C
Insulation Resistance	100 MΩ Min. 500 VDC
Dielectric Strength	500 VAC 1 minute
Customized solutions on request.	



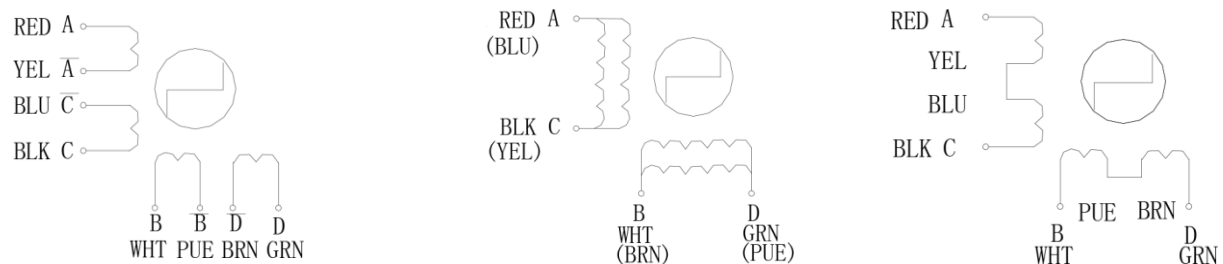
Electrical Specifications

Model	Step Angle	Motor Length	Rate Voltage	Rate Current	Phase Resistance	Phase Inductance	Holding Torque	Detent Torque	Rotor Inertia	Lead Wire	Motor Weight
	°	L (mm)	V	A	Ω	mH	mNm	mNm	kgcm ²	NO.	kg
86BYGX450A-003	1.8	62	5.8	1.6	3.6	27	1760	78.5	0.64	4	1.6
86BYGX450A-008	1.8	62	2.35	2.5	0.94	7	1960	78.5	0.64	4	1.6
86BYGX450A-014	1.8	62	1.4	4.5	0.31	1.3	1600	78.5	0.64	8	1.6
86BYGX450B-005	1.8	92	3.6	3	1.2	11	4000	147.1	1.3	4	2.6
86BYGX450B-008-01	1.8	92	3	4	0.75	3.5	2800	147.1	1.3	8	2.6
86BYGX450B-025	1.8	92	2.8	4	0.7	9.8	4100	147.1	1.3	4	2.6
86BYGX450C-002-03	1.8	129	4.2	3.5	1.2	5.2	4000	245.2	1.9	8	3.8
86BYGX450C-003-02	1.8	129	4	4	1	6	4000	245.2	19	8	3.8

Mechanical Dimensions



Wiring Diagram



Hybrid Stepper Motor

Pulse-Torque Characteristics

