

Hybrid Linear Actuators

57BYGHL Series

Hybrid Stepping Motor Series

General Specifications

Step Accuracy	±5%
Temperature Rise	80°C Max
Ambient Temperature Range	-20°C ~ +50°C
Insulation Resistance	100 MΩ Min. 500 VDC
Dielectric Strength	500 VAC 1s

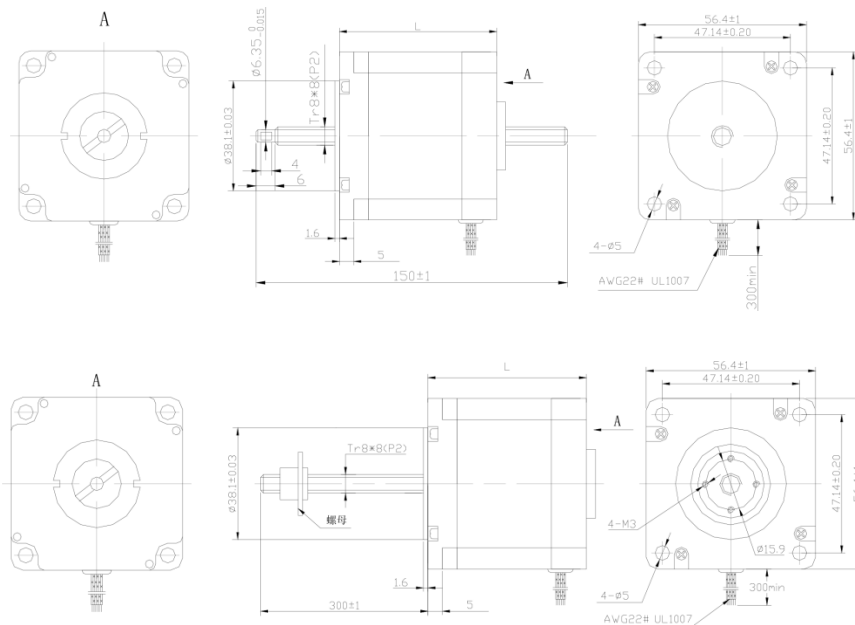
Customized solutions on request.



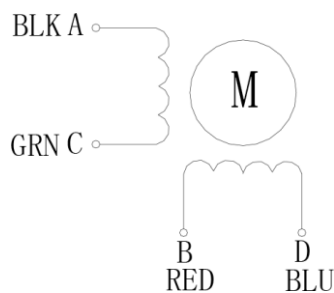
Electrical Specifications

Model	Step distance	Motor Length	Rate Voltage	Rate Current	Phase Resistance	Phase Inductance	Holding Torque	Detent Torque	Rotor Inertia	Lead Wire	Motor Weight
	mm/step	L(mm)	V	A	Ω	mH	mNm	mNm	kgcm ²	NO.	kg
57BYGHL013	0.04	41	2.7	1.5	1.8	4	400	20.6	0.12	4	0.45
57BYGHL216	0.04	51	3.3	1.7	1.95	6	1000	35.3	0.275	4	0.65
57BYGHL401	0.04	56	6	0.6	10	32	900	39.2	0.3	4	0.7
57BYGHL602	0.04	78	10.4	0.8	13	42	1980	66.7	0.48	4	1

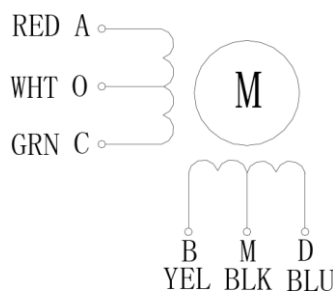
Mechanical Dimensions



Connection Diagram



4 Leads



6 Leads